

STAINLESS STEEL WORKTABLES EF2-SERIES — ENCLOSED TABLE W/ BACKSPLASH & UNDERSHELF

PROJECT#: _____

ITEM# _____

MODEL# _____

SPECIFICATIONS:

ECONOMY—EEF2-Series: 400 Series Stainless Top, 400 Series Stainless Body & 400 Series Stainless Undershef

TOP: 16 GA.
400 Series Stainless

SHELF: 18 GA.
400 Series Stainless

BODY: 20 GA.
400 Series Stainless

LEGS: 1 1/2" Square
Tubular Stainless Steel

STANDARD—SEF2-Series: 300 Series Stainless Top, 300 Series Stainless Body & 300 Series Stainless Undershef

TOP: 16 GA.
300 Series Stainless

SHELF: 18 GA.
300 Series Stainless

BODY: 20 GA.
300 Series Stainless

LEGS: 1 1/2" Square
Tubular Stainless Steel

HEAVY DUTY—HEF2-Series: 300 Series Stainless Top, 300 Series Stainless Body & 300 Series Stainless Undershef

TOP: 14 GA.
300 Series Stainless

SHELF: 16 GA.
300 Series Stainless

BODY: 18 GA.
300 Series Stainless

LEGS: 1 1/2" Square
Tubular Stainless Steel

CONSTRUCTION:

- ◆ All Table Connection Points Fully Welded for Maximum Rigidity and Long Life
- ◆ S/S Adjustable Bullet Feet
- ◆ Sound Deadening Between Top and Reinforcing Channel
- ◆ Offsets on Body Ends for Flush Fit
- ◆ S/S Undershef Welded to Legs
- ◆ Table is Polished to #3 Finish
- ◆ Working Height 35" to 36 1/4"



○ Amtekco Industries - Columbus, OH —Phone: (800) 336-4677

○ N. Wasserstrom & Sons - Columbus, OH —Phone: (800) 444-4697

○ DCS IV - Peoria, AZ—Phone: (800) 592-3274

○ GEN III - Fountain Inn, SC—Phone: (800)673-3339

○ GKS - Garland, TX—Phone (972) 485-4579

SPECIFICATIONS SUBJECT TO CHANGE WITHOUT NOTICE 01/09

ECONOMY - EEF2 - SERIES						
24" WIDE	QTY	30" WIDE	QTY	36" WIDE	QTY	LENGTH (INCHES)
EEF2-2424		EEF2-3024		EEF2-3624		24
EEF2-2430		EEF2-3030		EEF2-3630		30
EEF2-2436		EEF2-3036		EEF2-3636		36
EEF2-2442		EEF2-3042		EEF2-3642		42
EEF2-2448		EEF2-3048		EEF2-3648		48
EEF2-2454		EEF2-3054		EEF2-3654		54
EEF2-2460		EEF2-3060		EEF2-3660		60
EEF2-2466		EEF2-3066		EEF2-3666		66
EEF2-2472		EEF2-3072		EEF2-3672		72
EEF2-2478		EEF2-3078		EEF2-3678		78
EEF2-2484		EEF2-3084		EEF2-3684		84
EEF2-2490		EEF2-3090		EEF2-3690		90
EEF2-2496		EEF2-3096		EEF2-3696		96
EEF2-24102		EEF2-30102		EEF2-36102		102
EEF2-24108		EEF2-30108		EEF2-36108		108
EEF2-24114		EEF2-30114		EEF2-36114		114
EEF2-24120		EEF2-30120		EEF2-36120		120
STANDARD - SEF2 - SERIES						
24" WIDE	QTY	30" WIDE	QTY	36" WIDE	QTY	LENGTH (INCHES)
SEF2-2424		SEF2-3024		SEF2-3624		24
SEF2-2430		SEF2-3030		SEF2-3630		30
SEF2-2436		SEF2-3036		SEF2-3636		36
SEF2-2442		SEF2-3042		SEF2-3642		42
SEF2-2448		SEF2-3048		SEF2-3648		48
SEF2-2454		SEF2-3054		SEF2-3654		54
SEF2-2460		SEF2-3060		SEF2-3660		60
SEF2-2466		SEF2-3066		SEF2-3666		66
SEF2-2472		SEF2-3072		SEF2-3672		72
SEF2-2478		SEF2-3078		SEF2-3678		78
SEF2-2484		SEF2-3084		SEF2-3684		84
SEF2-2490		SEF2-3090		SEF2-3690		90
SEF2-2496		SEF2-3096		SEF2-3696		96
SEF2-24102		SEF2-30102		SEF2-36102		102
SEF2-24108		SEF2-30108		SEF2-36108		108
SEF2-24114		SEF2-30114		SEF2-36114		114
SEF2-24120		SEF2-30120		SEF2-36120		120
HEAVY DUTY - HEF2 - SERIES						
24" WIDE	QTY	30" WIDE	QTY	36" WIDE	QTY	LENGTH (INCHES)
HEF2-2424		HEF2-3024		HEF2-3624		24
HEF2-2430		HEF2-3030		HEF2-3630		30
HEF2-2436		HEF2-3036		HEF2-3636		36
HEF2-2442		HEF2-3042		HEF2-3642		42
HEF2-2448		HEF2-3048		HEF2-3648		48
HEF2-2454		HEF2-3054		HEF2-3654		54
HEF2-2460		HEF2-3060		HEF2-3660		60
HEF2-2466		HEF2-3066		HEF2-3666		66
HEF2-2472		HEF2-3072		HEF2-3672		72
HEF2-2478		HEF2-3078		HEF2-3678		78
HEF2-2484		HEF2-3084		HEF2-3684		84
HEF2-2490		HEF2-3090		HEF2-3690		90
HEF2-2496		HEF2-3096		HEF2-3696		96
HEF2-24102		HEF2-30102		HEF2-36102		102
HEF2-24108		HEF2-30108		HEF2-36108		108
HEF2-24114		HEF2-30114		HEF2-36114		114
HEF2-24120		HEF2-30120		HEF2-36120		120

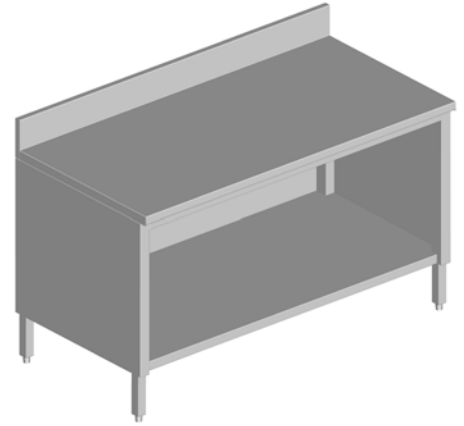
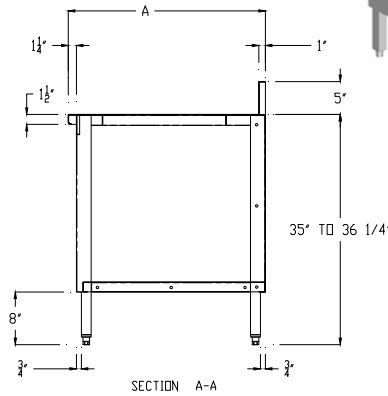
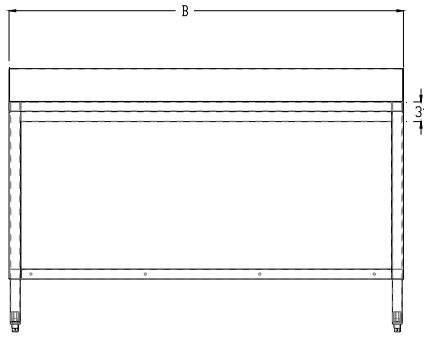
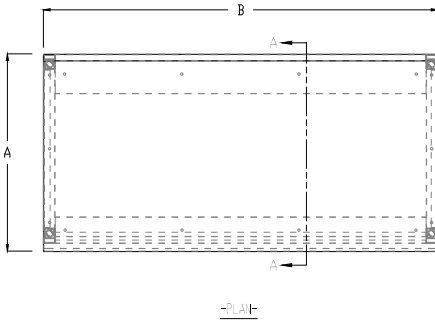
STAINLESS STEEL WORKTABLES

EF2-SERIES — ENCLOSED TABLE W/ BACKSPLASH & UNDERSHELF

PROJECT#: _____

ITEM# _____

MODEL# _____



- ◆ 35" Working Height is with Adj. Bullet Feet in Shortest Position
- ◆ Tables At or Above 78" Will Require (3) Sets of Legs.

A WIDTH	B LENGTH	EEF2 - SERIES 16 GA. 400 SERIES S/S TOP & 18 GA. 400 SERIES S/S UNDERSHELF	SEF2 - SERIES 16 GA. 300 SERIES S/S TOP & 18 GA. 300 SERIES S/S UNDERSHELF	HEF2 - SERIES 14 GA. 300 SERIES S/S TOP & 16 GA. 300 SERIES S/S UNDERSHELF	#Of Legs	Product Weight (lbs)
24" WIDE						
24	24	EEF2-2424	SEF2-2424	HEF2-2424	4	96
24	30	EEF2-2430	SEF2-2430	HEF2-2430	4	118
24	36	EEF2-2436	SEF2-2436	HEF2-2436	4	139
24	48	EEF2-2448	SEF2-2448	HEF2-2448	4	166
24	60	EEF2-2460	SEF2-2460	HEF2-2460	4	194
24	72	EEF2-2472	SEF2-2472	HEF2-2472	4	222
24	84	EEF2-2484	SEF2-2484	HEF2-2484	6	249
24	96	EEF2-2496	SEF2-2496	HEF2-2496	6	277
24	108	EEF2-24108	SEF2-24108	HEF2-24108	6	304
24	120	EEF2-24120	SEF2-24120	HEF2-24120	6	332
30" WIDE						
30	24	EEF2-3024	SEF2-3024	HEF2-3024	4	89
30	30	EEF2-3030	SEF2-3030	HEF2-3030	4	113
30	36	EEF2-3036	SEF2-3036	HEF2-3036	4	136
30	48	EEF2-3048	SEF2-3048	HEF2-3048	4	165
30	60	EEF2-3060	SEF2-3060	HEF2-3060	4	195
30	72	EEF2-3072	SEF2-3072	HEF2-3072	4	225
30	84	EEF2-3084	SEF2-3084	HEF2-3084	6	254
30	96	EEF2-3096	SEF2-3096	HEF2-3096	6	284
30	108	EEF2-30108	SEF2-30108	HEF2-30108	6	313
30	120	EEF2-30120	SEF2-30120	HEF2-30120	6	343
36" WIDE						
36	24	EEF2-3624	SEF2-3624	HEF2-3624	4	114
36	30	EEF2-3630	SEF2-3630	HEF2-3630	4	141
36	36	EEF2-3636	SEF2-3636	HEF2-3636	4	167
36	48	EEF2-3648	SEF2-3648	HEF2-3648	4	199
36	60	EEF2-3660	SEF2-3660	HEF2-3660	4	232
36	72	EEF2-3672	SEF2-3672	HEF2-3672	4	265
36	84	EEF2-3684	SEF2-3684	HEF2-3684	6	297
36	96	EEF2-3696	SEF2-3696	HEF2-3696	6	330
36	108	EEF2-36108	SEF2-36108	HEF2-36108	6	362
36	120	EEF2-36120	SEF2-36120	HEF2-36120	6	395